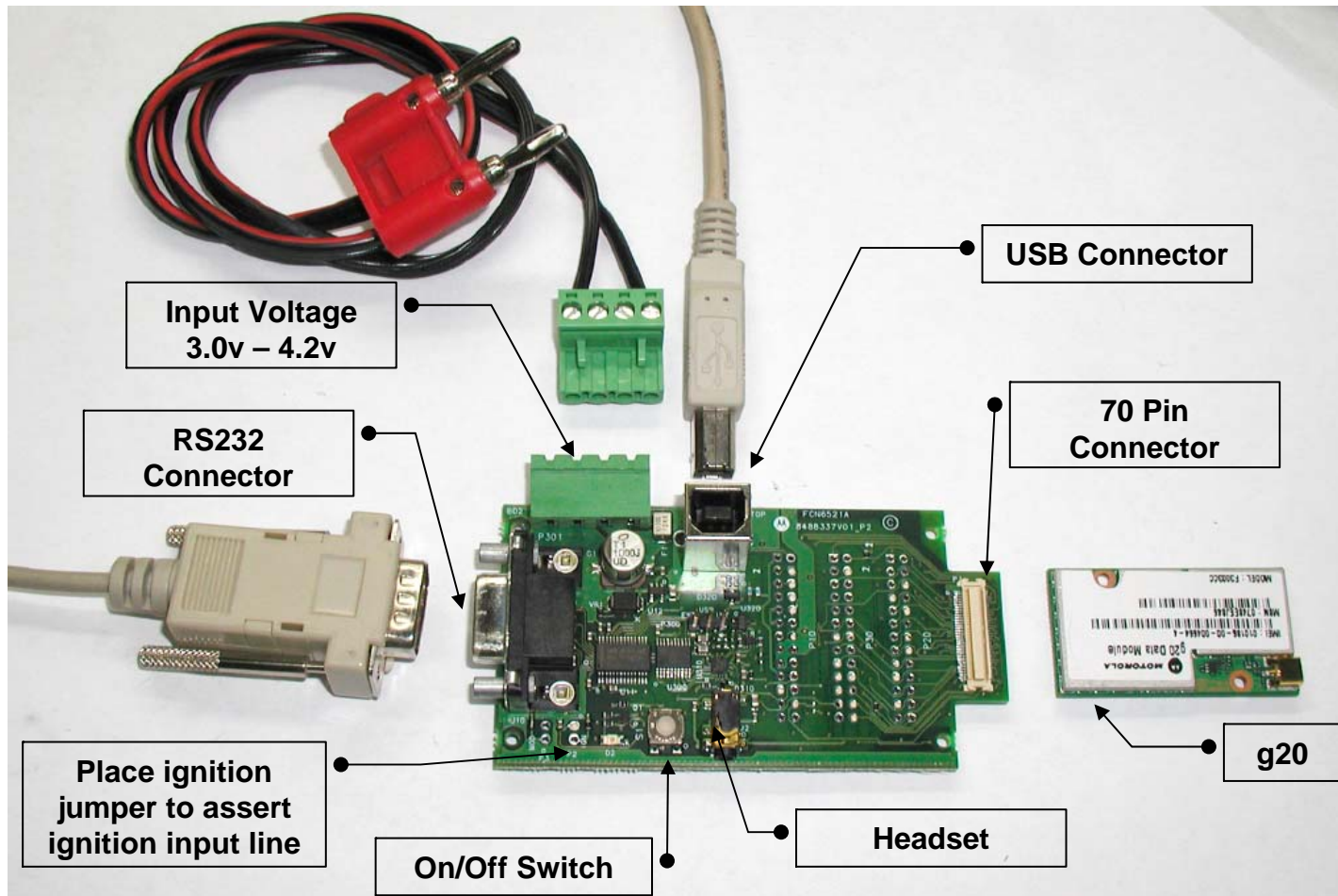
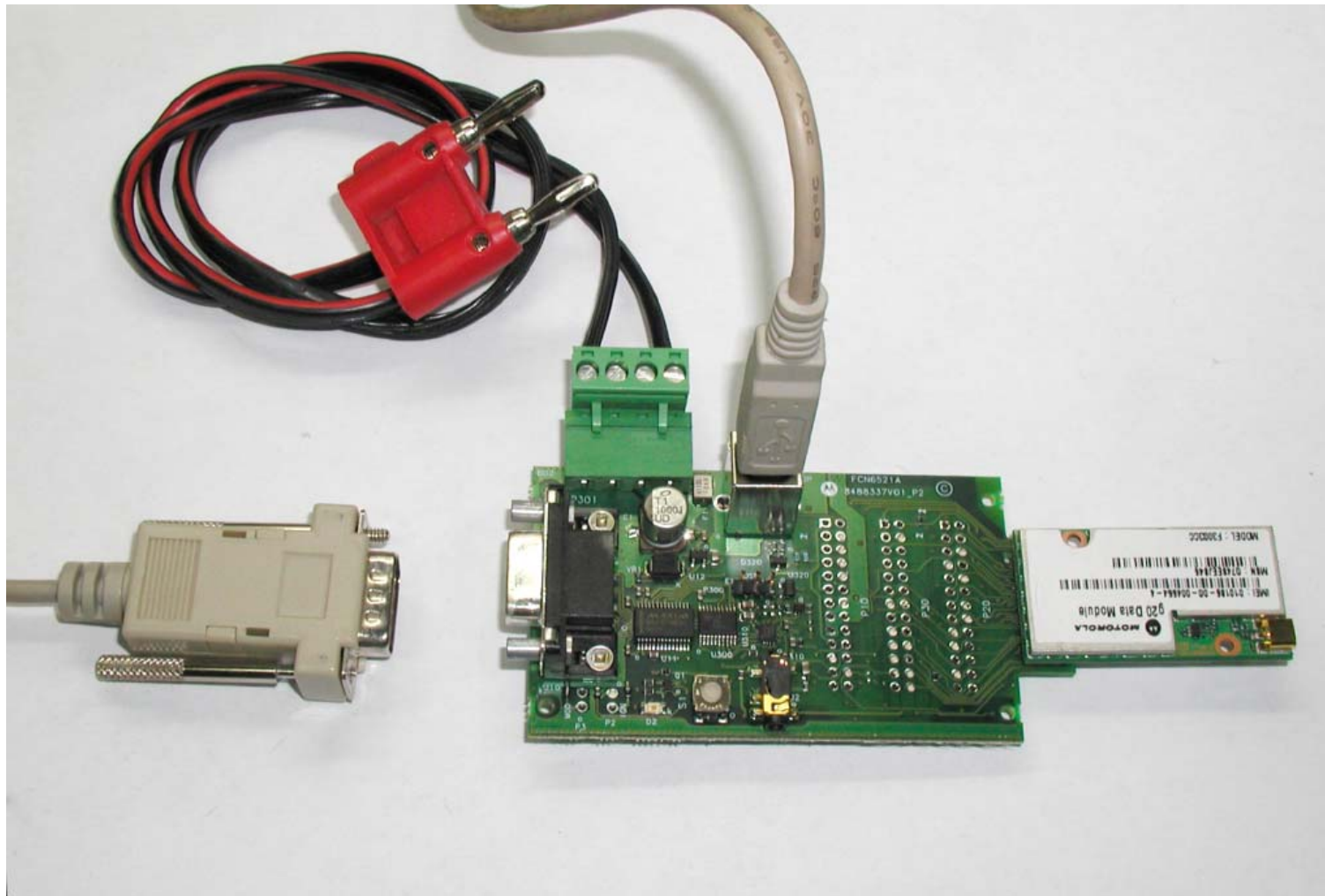


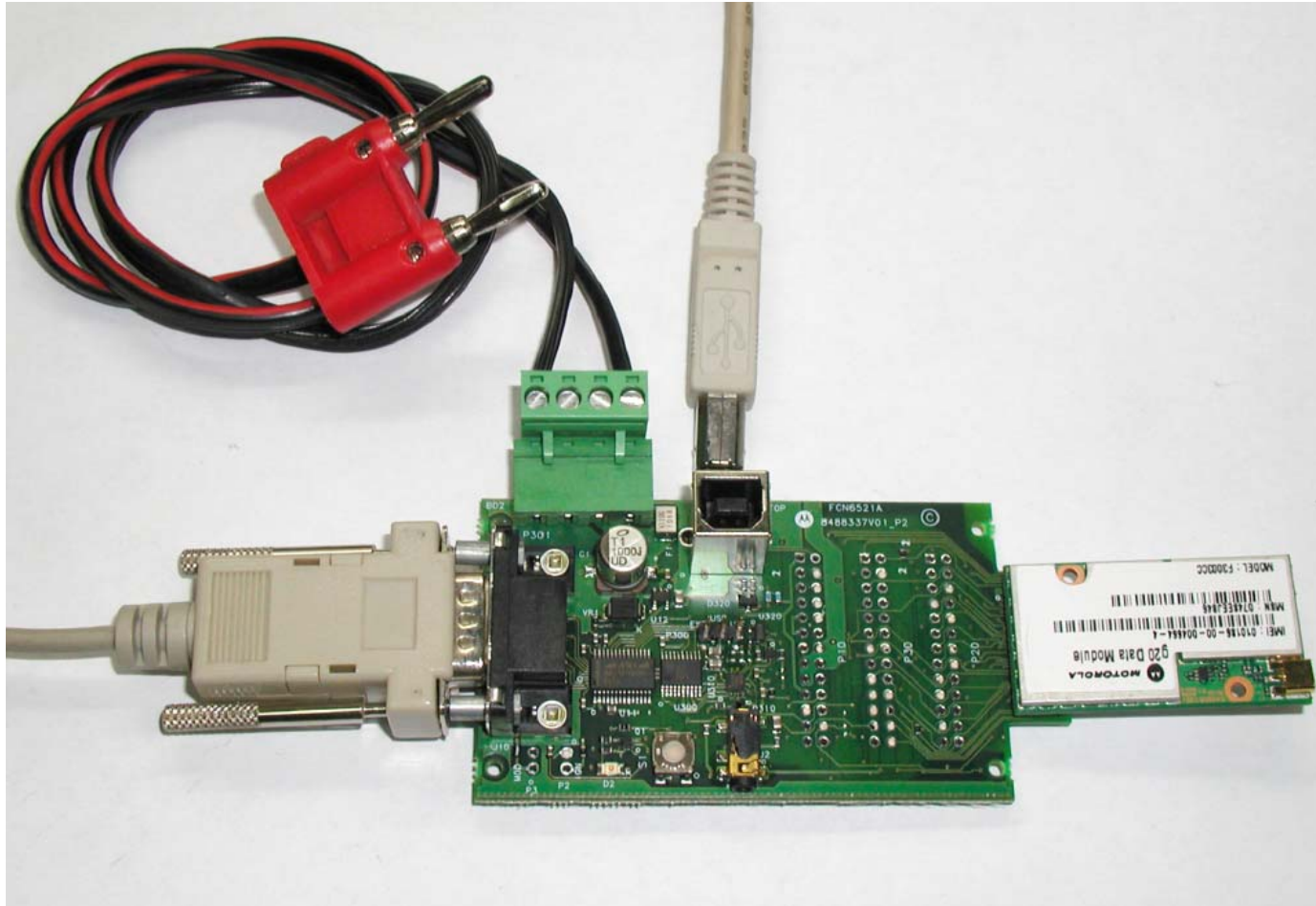
g20/c18 Adaptor Board and Accessories

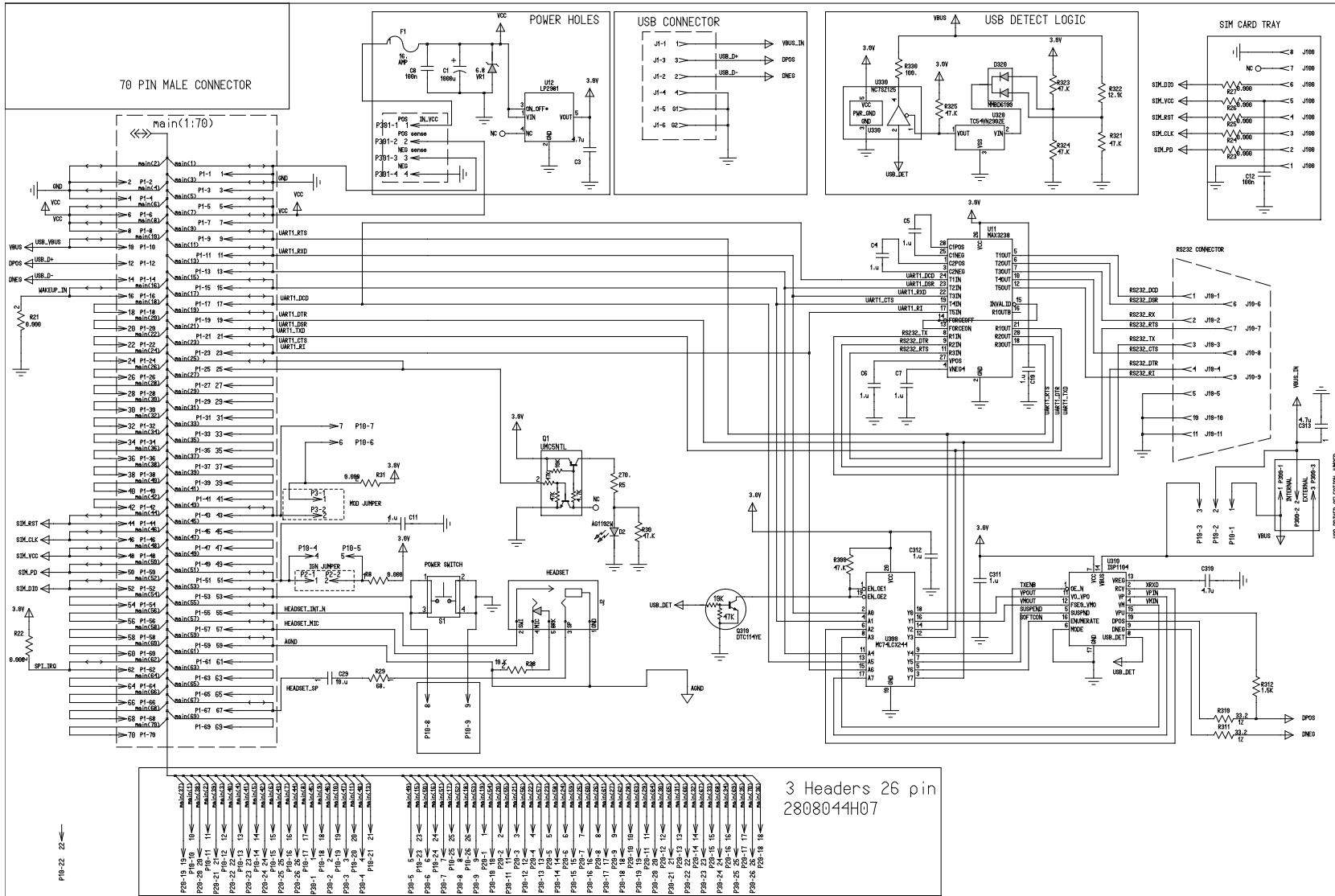


USB Configuration



RS232 Configuration





ISSUE	RELEASE	DATE	APVD
O	XXXXX	XX IX X	XXXX
A	XXXXX	XX IX X	XXXX
B	XXXXX	XX IX X	XXXX
C	XXXXX	XX IX X	XXXX
D	XXXXX	XX IX X	XXXX

3 Headers 26 pin
2808044H07



PROJ. DESCRIPTION:												
KIT NO. FCNXXXXX		NAME DATA CABLE FOR G20/C18						PCB_NO. 8488337V01_P1				
DRAWN	BTB015	09/03/04	CHECKED	BDF004	09/03/04							
APPROVED	CAG014	10/03/04	RELEASED	BTB015	10/03/04							
X	X	D	X	X	X	X	X	G	X	X	-	X
SHEET 1 OF 1												

1. DRAWING GENERATED BY COMPUTER.
2. MOTOROLA CONFIDENTIAL PROPRIETARY !!



MRC Components OHG
Obere Domberggasse 7
D-85354 Freising

COMPONENTS

info@mrccomponents.de
www.mrccomponents.de

Tel. +49-(0)8161-9848-0
Fax +49-(0)8161-9848-20